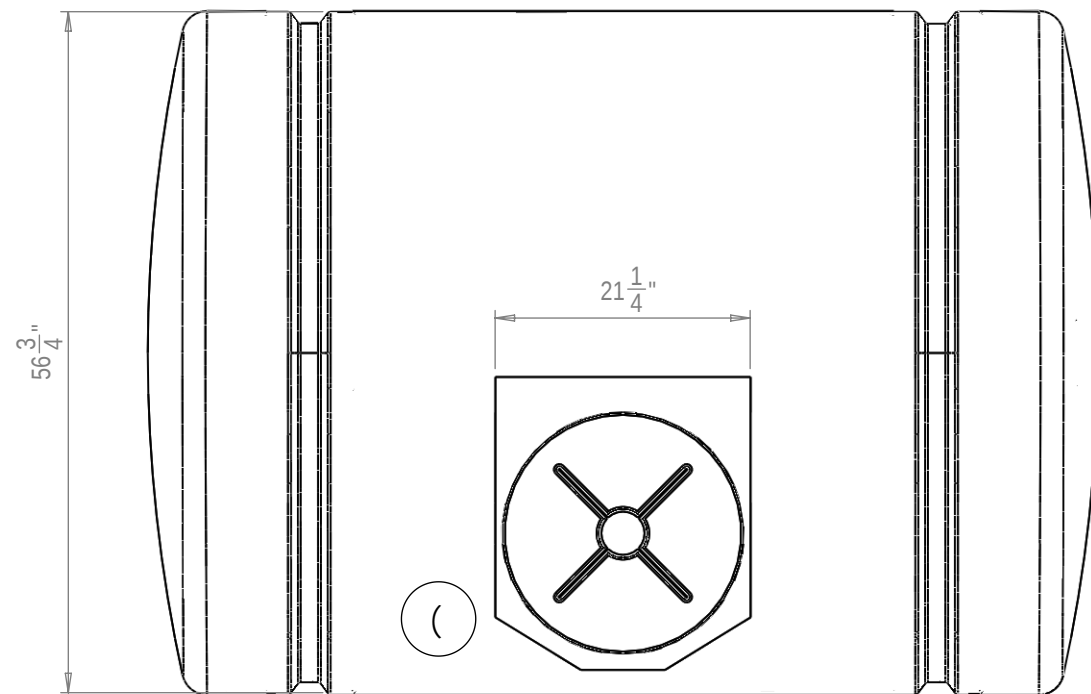


G7 5 @ 9% : & (



NOTES:

1. MATERIAL - HDPE
2. WEIGHT - 160 LBS AT 1.5 SG & 184 LBS AT 1.9 SG
3. 8" x 6" LAYOUT FLATS
4. 16" MANWAY

DFC DF 415 FM 5 B 8 7 CB : 8 9 B H 5 @  
 THE INFORMATION CONTAINED IN THIS DRAWING IS THE SOLE PROPERTY OF POLY-MART, INC. 16310 BRATTON LANE #210, AUSTIN TX 78728. ANY REPRODUCTION IN PART OR AS A WHOLE WITHOUT THE WRITTEN PERMISSION OF POLY-MART, INC. 16310 BRATTON LANE #210, AUSTIN TX 78728 IS PROHIBITED.

I B @ 9 G C H : 9 F K @ 9 Q D 9 7 ± 9 8 .	B 5 A 9	8 5 H 9
8 A 9 B G C B G 5 F 9 B : B 7 < 9 G	8 F 5 K B	GM
HC @ F 5 B 7 9 G	7 < 9 7 ? 9 8	8 - 2 7 - 1 4
: F 5 7 H C B 5 @ ±	9 B : ' 5 D D F "	
5 B : I @ 5 F : A 5 7 < ± ..... 6 9 B 8 ±	A : : ' 5 D D F "	
H K C D @ 5 7 9 8 9 7 A 5 @ ± ±	E " 5 "	
H : F 9 9 D @ 5 7 9 8 9 7 A 5 @ ± ±	7 5 8 8 9 G ± B ' 6 M !	
B H F D F 9 H : 9 C A 9 H 7		
HC @ F 5 B 7 B : D 9 F .		
A 5 H F 5 @	HDPE	
: B G :		
8 C B C H G 7 5 @ 9 8 F 5 K B :		

CADWorksPro  
 Chicago, IL  
 gilm@cadworkspro.com

**POLY-MART**  
 .com

600 GALLON HORIZONTAL ELLIPTICAL TANK

600 HET

6

8 K ; " " BC "

F 9 J

G 7 5 @ 9 . % % \* K 9 ± < H ' G < 9 9 H % C : %